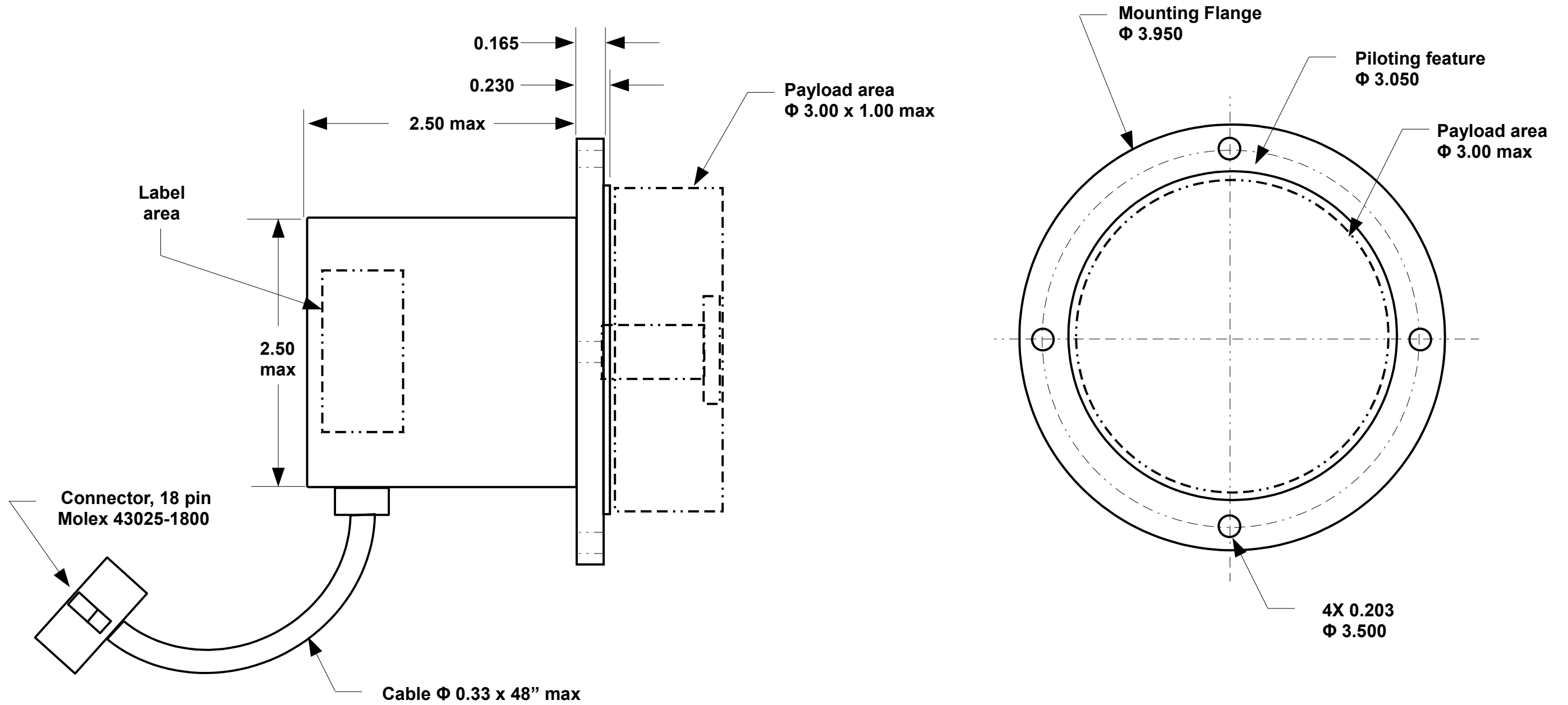


Notes

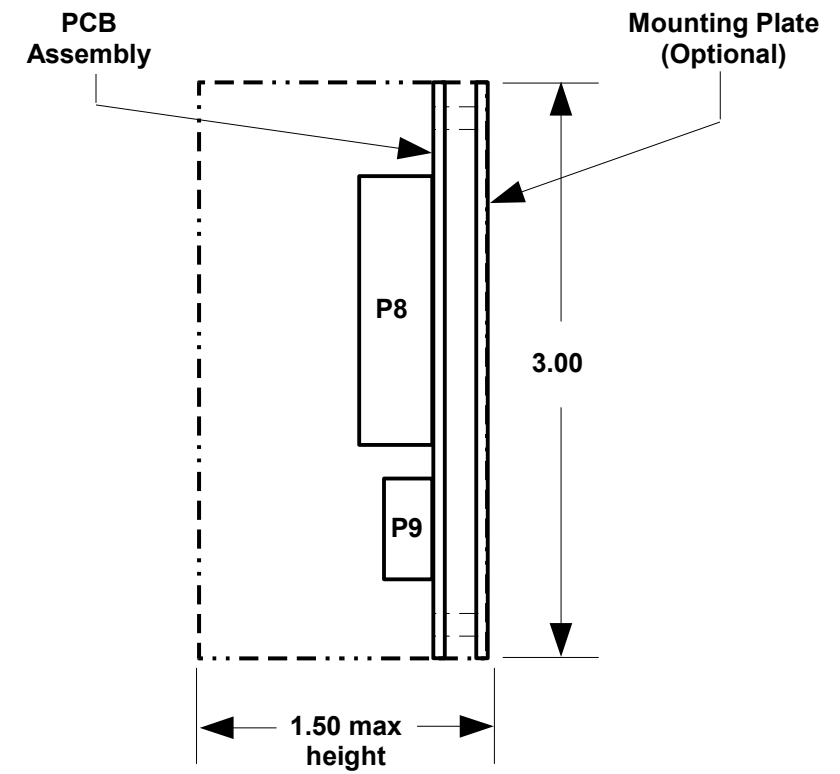
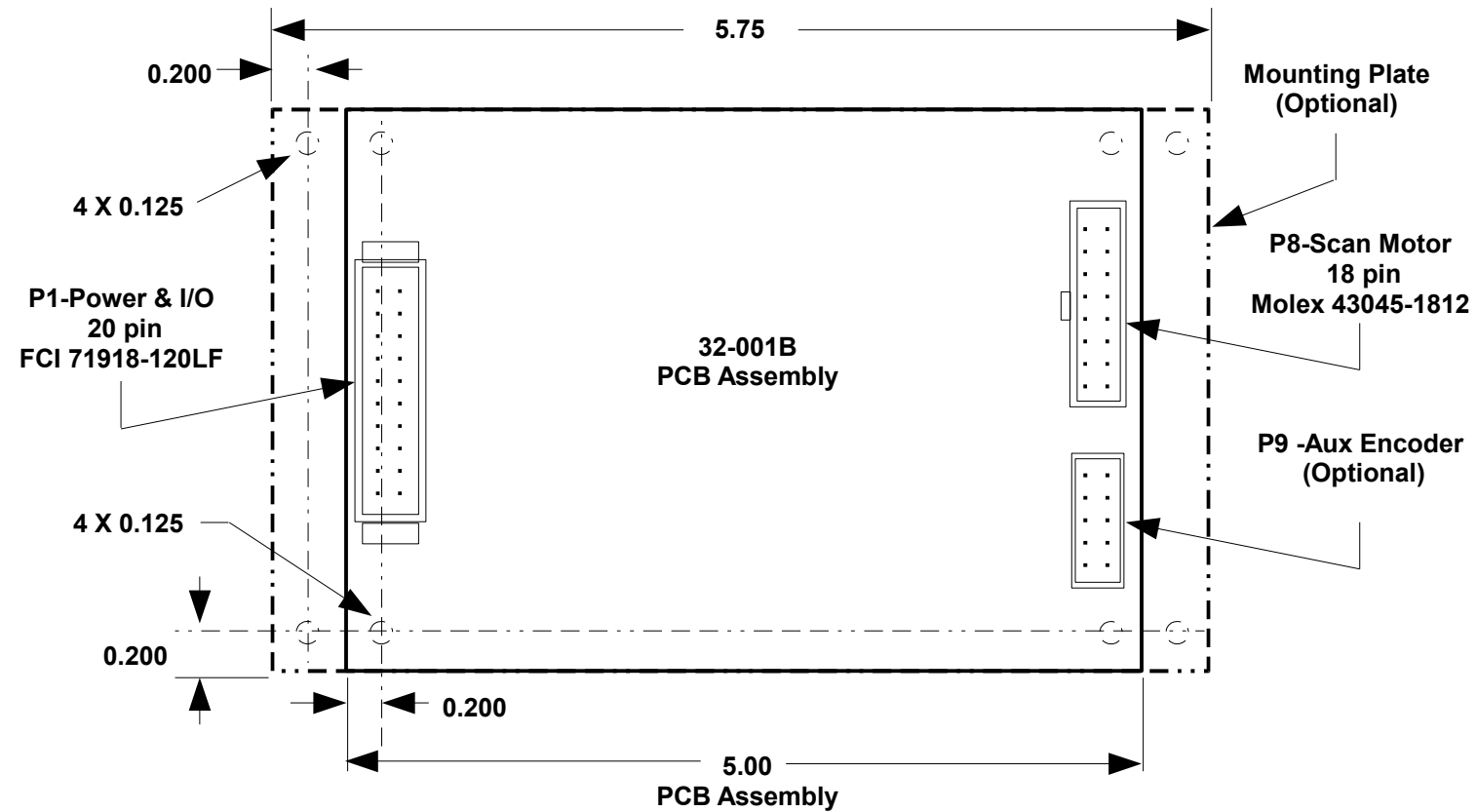
| LTR | Description | ECN No. | Date | Initial |
|-----|-----------------|---------|-----------|---------|
| A | Initial Release | 1202 | 5-29-2012 | E.E. |
| B | Change per ECN | 1402 | 3-13-2014 | E.E. |



| | | | | | | |
|----------|--|---|-------------------|---------------------|-----------------------------|--|
| Material | Proprietary Information Do not share with a third party without written approval from SignalTronix | Tolerances unless otherwise specified: X.XXX = ±0.005" X.XX = ±0.01" Angles = ± 0.5° | Date 3-13-2014 | SignalTronix | Part No. 1700-100 | Rev. B |
| Finish | | Projection | Approval E.E. | | File Name File: 1700100B | Part Name Rotary Scanner Outline & Mounting |

Notes

| LTR | Description | ECN No. | Date | Initial |
|-----|-----------------|---------|-----------|---------|
| A | Initial Release | 1202 | 5-29-2012 | E.E. |
| B | Change per ECN | 1402 | 3-13-2014 | E.E. |



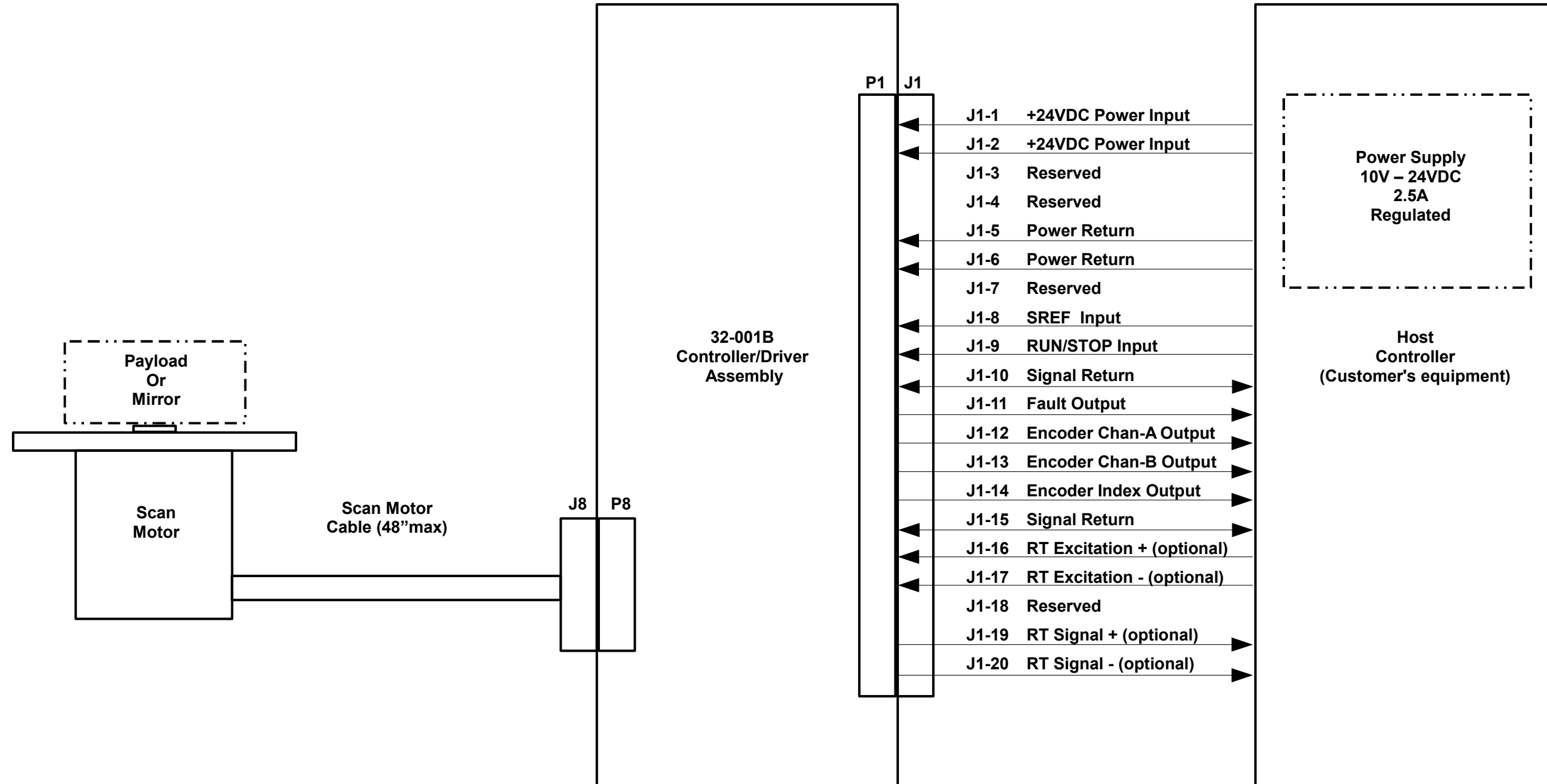
| Scan Motor Connector P8 | Power and Control Connector P1 | |
|---|---|---|
| Molex 43045-1812 Mate: 43025-1800 | FCI 71918-120LF Mate: 71600-620LF | |
| J1-1 Motor Phase-A J1-2 Motor Phase-B J1-3 Motor Phase-C J1-4 Motor Shield J1-5 Sensor Power (+5v) J1-6 Hall sensor power GND J1-7 Hall sensor H1 output J1-8 Hall sensor H2 output J1-9 Hall sensor H3 output J1-10 Encoder Power (+5V) J1-11 RT Excitation + (optional) J1-12 RT Excitation - (optional) J1-13 RT Signal + (optional) J1-14 RT Signal - (optional) J1-15 Encoder Channel - A J1-16 Encoder Channel - B J1-17 Encoder Index J1-18 Encoder GND | J2-1 +24VDC Power Input (+12V to +28 range, 2.5A max.) J2-2 +24VDC Power Input (Internally connected to J2-1) J2-3 Reserved J2-4 Reserved J2-5 Power Return J2-6 Power Return J2-7 Reserved J2-8 SREF, Input (HCTTL compatible, RPM = SREF/1250 x 60) J2-9 RUN/STOP Input (+5V or open = RUN, 0V = STOP) J2-10 Signal Return | J2-11 Fault Output J2-12 Encoder Channel-A Output J2-13 Encoder Channel-B Output J2-14 Encoder Index Output J2-15 Signal Return J2-16 RT Excitation + (optional) J2-17 RT Excitation - (optional) J2-18 Reserved J2-19 RT Signal + (optional) J2-20 RT Signal - (optional) |

| | | | | | | |
|----------|---|---|-------------------|---------------------|-----------------------------|---|
| Material | Proprietary Information Do not share with a third party without written approval from SignalTronix | Tolerances unless otherwise specified: X.XXX = ±0.005" X.XX = ±0.01" Angles = ± 0.5° | Date 3-13-2014 | SignalTronix | Part No. 1700-100 | Rev. B |
| Finish | | Projection | Approval E.E. | | File Name File: 1700100B | Part Name Rotary Scanner Outline & Mounting |

Notes

1. Typical connection configuration
2. Rotation Speed (RPM) = SREF/1250 x 60
3. Maximum speed: 5000 RPM

| LTR | Description | ECN No. | Date | Initial |
|-----|-----------------|---------|-----------|---------|
| A | Initial Release | 1202 | 5-29-2012 | E.E. |
| B | Change per ECN | 1402 | 3-13-2014 | E.E. |



| | | | | | | |
|----------|--|---|-------------------|--|-----------------------------|--|
| Material | Proprietary Information Do not share with a third party without written approval from SignalTronix | Tolerances unless otherwise specified: X.XXX = ±0.005" X.XX = ±0.01" Angles = ± 0.5° | Date 3-13-2014 | | Part No. 1700-100 | Rev. B |
| Finish | | Projection | Approval E.E. | | File Name File: 1700100B | Part Name Rotary Scanner Outline & Mounting |